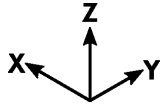


U015

X: 600mm

Y: 475mm

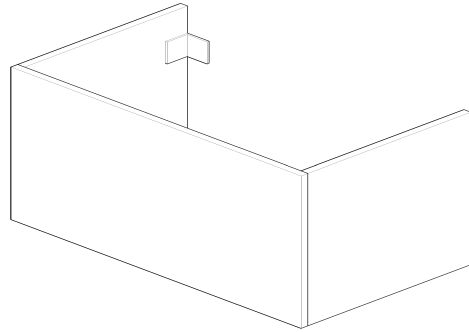
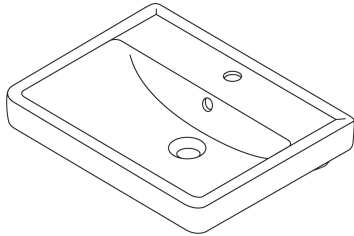
Z: 90mm



X: 545 mm

Y: 436 mm

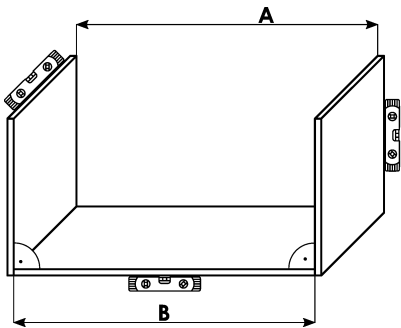
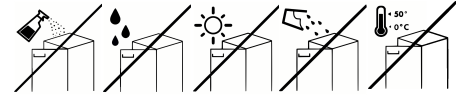
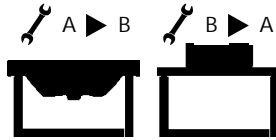
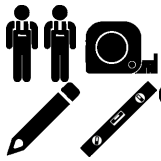
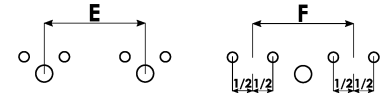
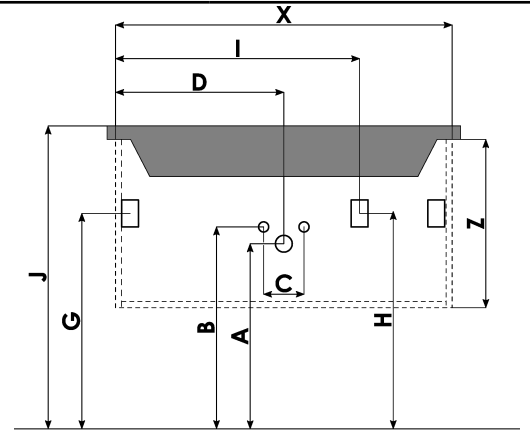
Z: 560 mm



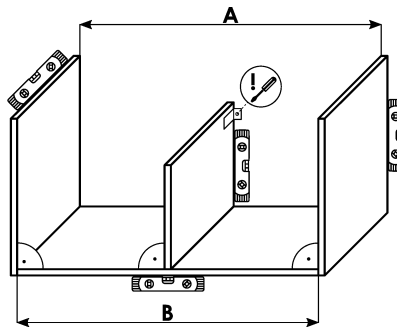
A



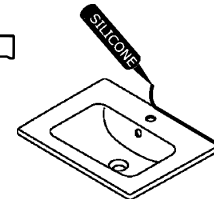
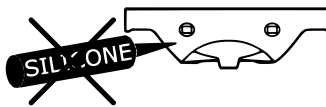
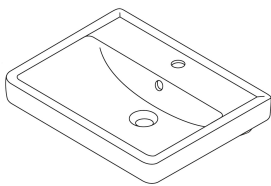
- A 540 mm
- B 570 mm
- C 80-120 mm
- D 273 mm
- E --- mm
- F --- mm
- G 640 mm
- H --- mm
- I --- mm
- J 860 mm
- M mm
- N mm



! A=B



A



B

